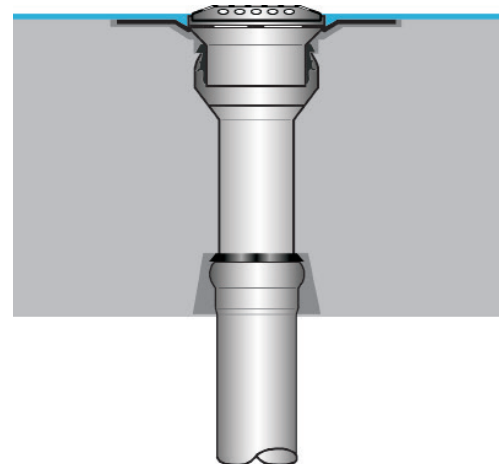


Specification Sheet LX 1229

Balcony Drainage Balcony drain Series V-FL



Main drainage

Gravity flow

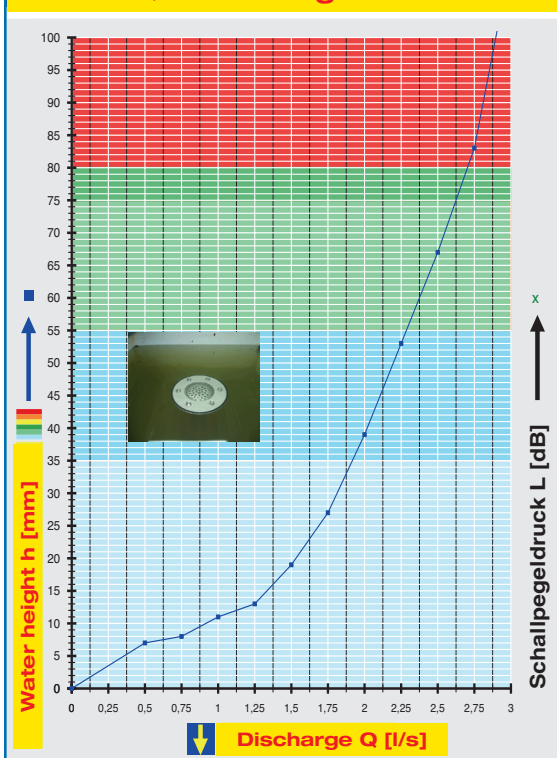
Silent

Discharge:	1.85 l/s
Water height:	35 mm
Roof penetration:	-
Diameter:	DN 70
LX-Number:	LX 1229
Weir height:	0 mm
Drain:	ventilated
Downpipe:	ventilated
Downpipe height:	2.75 m
Drainage:	into ground pipe

LX 1229 Piece list

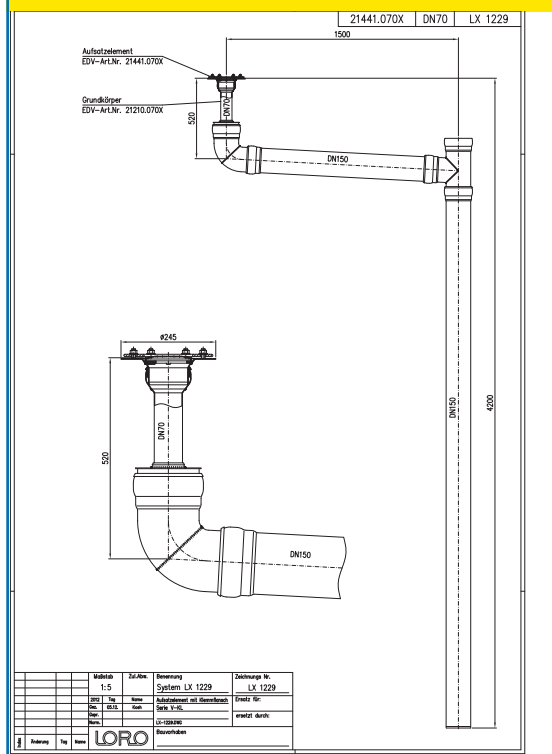
Please choose set up elements and extension cartridge on page 2!

hQ - Discharge curve



System power

CAD

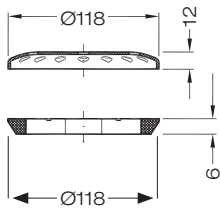


System shape

Water height	mm	10	15	20	25	30	35	40	45	50	55	60	65	70	75	
Discharge	l/s	0,80	1,30	1,50	1,65	1,80	1,85	2,00	2,10	2,20	2,25	2,35	2,45	2,55	2,60	
		Silent														

Please choose suitable set up elements and extension unit!

DN 70

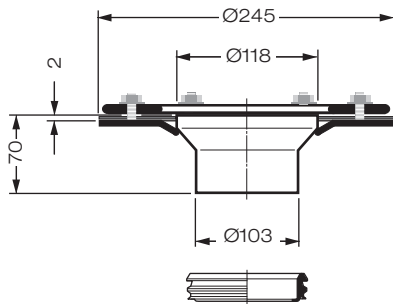


Strainer unit

consisting of: strainer, round, **without** pipe penetration, support ring

Art.-No. 20421.070X

Weight: 0.15 kg



one-piece version

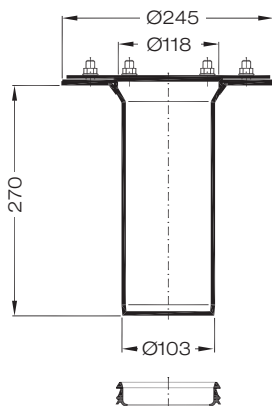
LX1229-12X

Set up element, Series V-KL

with clamping flange, for sealing with sealing sheets, made of stainless steel

Art.-No. 20440.070X

Weight: 1.7 kg



two-piece version

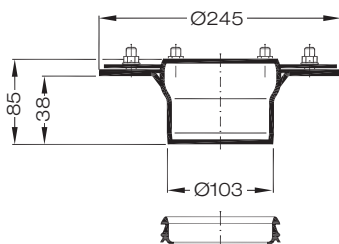
LX1229-13X

Extension unit

for thermally insulated balconies, **Series V-KL** with clamping flange, for sealing with sealing sheets, consisting of: extension unit with clamping flange, sealing element DN 100

Art.-No. 20445.070X

Weight: 2.6 kg



Set up element with socket

for thermally insulated balconies, **Series V-KL** with clamping flange, for sealing with liquid plastic

Art.-No. 20446.070X

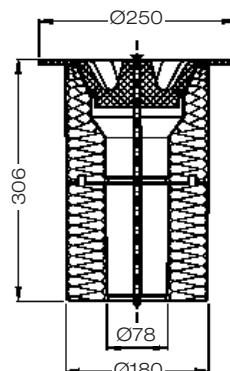
Weight: 2.0 kg



Base unit

Art.-No. 21400.070X
consisting of:

- 1 **Formwork mushroom**
Art.-No. 18110.070X
- 2 **Base body**
Art.-No. 21210.070X
- 3 **Formwork dome**
Art.-No. 18100.070X



Thermal insulation base unit

consisting of: formwork mushroom, thermal insulation body and fastening screw
Art.-No. 21401.070X
Weight: 0.7 kg

Attention:
The base body 21210.070X has to be ordered separately!